

## YVF (YVF2) Series Frequency Variable Speed Regulation Motor



Frame: 80~355 Power: 0.37~375kW

2P frequency range: 5~ 60,70,100Hz

4、6、8P frequency range: 5~ 100Hz

Insulation class: F; Protection class: IP55; Cooling method: IC416

**Applications:** various operation systems by which speed-regulation is needed, such as metallurgy, chemistry, textile, pumps, machine tool, etc.

### Features:

- Stepless adjustable speed operation in a wide range
- Good performance of the system, energy saving
- High-grade insulation material and special technological withstand high frequency pulse impact
- Separate fan for forced-ventilation

### Performance Data

380VAC 50Hz

Model	Power kW	Current A	Speed r/min	Eff.%	P.F	Rated Torque N.m	Noise dB(A)	Constant Torque Frequency Range Hz	Constant Output Frequency Range Hz
Speed 3000r/min									
YVF80M1-2	0.75	1.80	2855	77.4	0.82	2.5	73	5-50	50-100
YVF80M2-2	1.1	2.53	2870	79.6	0.83	3.7	73		
YVF90S-2	1.5	3.34	2865	81.3	0.84	5.0	76		
YVF90L-2	2.2	4.73	2870	83.2	0.85	7.3	76		
YVF100L-2	3	6.19	2875	84.6	0.87	10.0	79		
YVF112M-2	4	8.05	2910	85.8	0.88	13.1	80		
YVF132S1-2	5.5	10.9	2935	87.0	0.88	17.9	86		
YVF132S2-2	7.5	14.5	2930	88.1	0.89	24.4	86		
YVF160M1-2	11	21.0	2950	89.4	0.89	35.6	90		
YVF160M2-2	15	28.4	2945	90.3	0.89	48.6	90		
YVF160L-2	18.5	34.7	2945	90.9	0.89	60.0	90		
YVF180M-2	22	41.1	2950	91.3	0.89	71.2	91		
YVF200L1-2	30	55.7	2960	92.0	0.89	96.8	92		
YVF200L2-2	37	68.3	2960	92.5	0.89	119	92		
YVF225M-2	45	82.7	2965	92.9	0.89	145	94		
YVF250M-2	55	101	2970	93.2	0.89	177	96		
YVF280S-2	75	137	2975	93.8	0.89	241	99	50-70	
YVF280M-2	90	163	2970	94.1	0.89	289	99		
YVF315S-2	110	197	2975	94.3	0.9	353	105	50-60	
YVF315M-2	132	236	2975	94.6	0.9	424	105		
YVF315L1-2	160	282	2975	94.8	0.91	514	109		
YVF315L-2	185	326	2975	94.8	0.91	594	109		
YVF315L2-2	200	352	2975	94.8	0.91	642	109		
YVF315L3-2	220	387	2975	95.0	0.91	706	109		
YVF355M1-2	220	387	2980	95.0	0.91	705	111		
YVF355M-2	250	439	2980	95.0	0.91	801	111		
YVF355L1-2	280	492	2980	95.0	0.91	897	113		
YVF355L-2	315	554	2980	95.0	0.91	1009	113		
YVF355L2-2	355	624	2980	95.0	0.91	1138	113		
YVF355L3-2	375	659	2980	95.0	0.91	1202	113		

Model	kW	A	r/min	Eff.%	P.F	N.m	dB(A)	Constant Torque Frequency Range Hz	Constant Output Frequency Range Hz
Speed 1500r/min									
YVF80M1-4	0.55	1.41	1430	79.0	0.75	3.7	73	5-50	50-100
YVF80M2-4	0.75	1.88	1425	79.6	0.76	5.0	73		
YVF90S-4	1.1	2.67	1420	81.4	0.77	7.4	76		
YVF90L-4	1.5	3.53	1420	82.8	0.78	10.1	76		
YVF100L1-4	2.2	4.96	1430	84.3	0.8	14.7	79		
YVF100L2-4	3	6.58	1430	85.5	0.81	20.0	79		
YVF112M-4	4	8.66	1450	86.6	0.81	26.3	80		
YVF132S-4	5.5	11.6	1465	87.7	0.82	35.9	86		
YVF132M-4	7.5	15.5	1465	88.7	0.83	48.9	86		
YVF160M-4	11	22.4	1470	89.8	0.83	71.5	90		
YVF160L-4	15	29.9	1470	90.6	0.84	97.4	90		
YVF180M-4	18.5	36.3	1470	91.2	0.85	120	91		
YVF180L-4	22	42.9	1465	91.6	0.85	143	91		
YVF200L-4	30	58.1	1475	92.3	0.85	194	92		
YVF225S-4	37	70.5	1480	92.7	0.86	239	94		
YVF225M-4	45	85.4	1480	93.1	0.86	290	94		
YVF250M-4	55	104	1485	93.5	0.86	354	96		
YVF280S-4	75	139	1490	94	0.87	481	99		
YVF280M-4	90	165	1485	94.2	0.88	579	99		
YVF315S-4	110	199	1485	94.5	0.89	707	105		
YVF315M-4	132	238	1485	94.7	0.89	849	105		
YVF315L1-4	160	285	1485	94.9	0.90	1029	109		
YVF315L-4	185	329	1485	95.0	0.90	1190	109		
YVF315L2-4	200	355	1485	95.1	0.90	1286	109		
YVF315L3-4	220	391	1485	95.1	0.90	1415	109		
YVF355M1-4	220	391	1490	95.1	0.90	1410	111		
YVF355M-4	250	444	1490	95.1	0.90	1602	111		
YVF355L1-4	280	497	1490	95.1	0.90	1495	113		
YVF355L-4	315	559	1490	95.1	0.90	2019	113		
YVF355L2-4	355	645	1490	95.1	0.88	2275	113		
YVF355L3-4	375	681	1490	95.1	0.88	2404	113		
Speed 1000r/min									
YVF80M1-6	0.37	1.2	910	67.0	0.7	3.9	73	5-50	50-100
YVF80M2-6	0.55	1.68	910	70.0	0.71	5.8	73		
YVF90S-6	0.75	2.11	935	75.9	0.71	7.7	76		
YVF90L-6	1.1	2.97	935	78.1	0.72	11.2	76		
YVF100L-6	1.5	3.97	945	79.8	0.72	15.2	79		
YVF112M-6	2.2	5.68	965	81.8	0.72	21.8	80		
YVF132S-6	3	7.6	975	83.3	0.72	29.4	86		
YVF132M1-6	4	9.71	975	84.6	0.74	39.2	86		
YVF132M2-6	5.5	13.0	975	86.0	0.75	53.9	86		
YVF160M-6	7.5	16.8	975	87.2	0.78	73.5	90		
YVF160L-6	11	23.9	975	88.7	0.79	108	90		
YVF180L-6	15	31.8	980	89.7	0.8	146	91		
YVF200L1-6	18.5	38.9	980	90.4	0.8	180	92		
YVF200L2-6	22	45.4	980	90.9	0.81	214	92		
YVF225M-6	30	60.6	985	91.7	0.82	291	94		

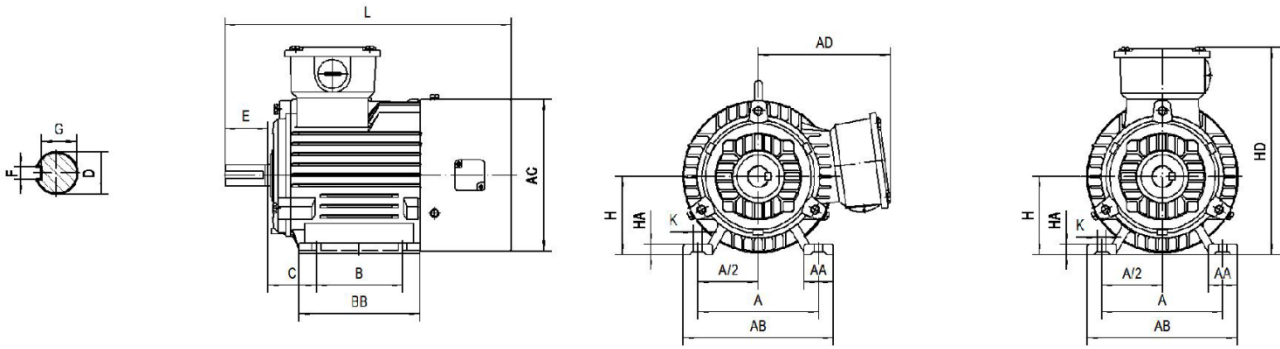
YVF250M-6	37	73.5	985	92.2	0.83	359	96	5-50	50-100
YVF280S-6	45	86.8	990	92.7	0.85	434	99		
YVF280M-6	55	104	990	93.1	0.86	531	99		
YVF315S-6	75	145	990	93.7	0.84	723	105		
YVF315M-6	90	171	990	94.0	0.85	868	105		
YVF315L1-6	110	209	990	94.3	0.85	1061	109		
YVF315L2-6	132	247	990	94.6	0.86	1273	109		
YVF315L2-6	160	298	990	94.8	0.86	1543	109		
YVF355M1-6	160	298	990	94.8	0.86	1543	111		
YVF355M-6	185	344	990	94.9	0.86	1785	111		
YVF355M2-6	200	372	990	95.0	0.86	1929	111		
YVF355L1-6	220	409	990	95.0	0.86	2122	113		
YVF355L-6	250	465	990	95.0	0.86	2412	113		
YVF355L2-6	280	521	990	95.0	0.86	2710	113		
YVF355L3-6	315	586	995	95.0	0.86	3023	113		
Speed 750r/min									
YVF80M1-8	0.18	0.8	700	52.8	0.61	2.5	73	5-50	50-100
YVF80M2-8	0.25	1.1	700	57	0.61	3.4	73		
YVF90S-8	0.37	1.4	695	64	0.62	5.1	76		
YVF90L-8	0.55	2.0	695	67.5	0.63	7.6	76		
YVF100L1-8	0.75	2.3	705	71.5	0.68	10.2	79		
YVF100L2-8	1.1	3.3	705	74.5	0.69	14.9	79		
YVF112M-8	1.5	4.4	715	75.4	0.69	20.0	80		
YVF132S-8	2.2	6.0	730	78.2	0.71	28.8	86		
YVF132M-8	3	7.7	730	80.6	0.73	39.2	86		
YVF160M1-8	4	10.1	725	82.7	0.73	52.7	90		
YVF160M2-8	5.5	13.4	725	84.3	0.74	72.4	90		
YVF160L-8	7.5	17.7	730	85.8	0.75	98.1	90		
YVF180L-8	11	25.0	725	87.8	0.76	145	91		
YVF200L-8	15	33.7	730	89.0	0.76	196	92		
YVF225S-8	18.5	40.0	735	90.2	0.78	240	94		
YVF225M-8	22	47.4	735	90.5	0.78	286	94		
YVF250M-8	30	63.4	735	91	0.79	390	96		
YVF280S-8	37	77.8	740	91.5	0.79	478	99		
YVF280M-8	45	93.9	740	92.2	0.79	581	99		
YVF315S-8	55	111	740	93.1	0.81	710	105		
YVF315M-8	75	151	740	93.2	0.81	968	105		
YVF315L1-8	90	181	740	93.2	0.81	1161	109		
YVF315L2-8	110	218	740	93.5	0.82	1420	109		
YVF355M1-8	132	261	745	93.7	0.82	1692	111		
YVF355M2-8	160	314	745	94.3	0.82	2051	111		
YVF355L1-8	185	364	745	94.3	0.82	2371	113		
YVF355L-8	200	392	745	94.5	0.82	2564	113		
YVF355L2-8	220	431	745	94.5	0.82	2820	113		
YVF355L3-8	250	484	745	94.5	0.83	3205	113		

### Specifications of cooling blower and brake for the motor

Motor	Frame	80	90	100	112	132	160	180	200	225	250	280	315	355
Cooling Fan	Power (w)	30	42	52	55	55	80	80	150	200	230	320	700	700
	Current (A)	0.09	0.16	0.18	0.18	0.19	0.26	0.30	0.6	0.6	0.6	1.1	1.8	1.9
	Voltage	Usually 380V, but can customize variety voltage according to user requirement.												

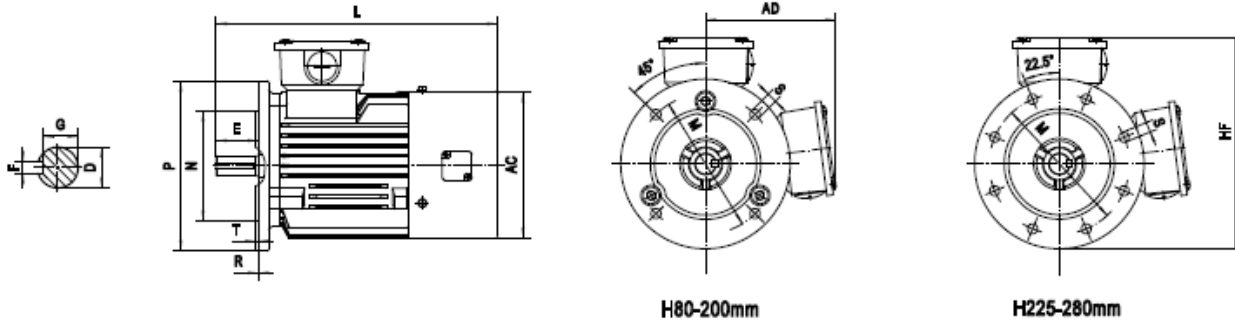
## Dimensions (mm)

### 1. IMB3 (Base with feet, end cover without flange)



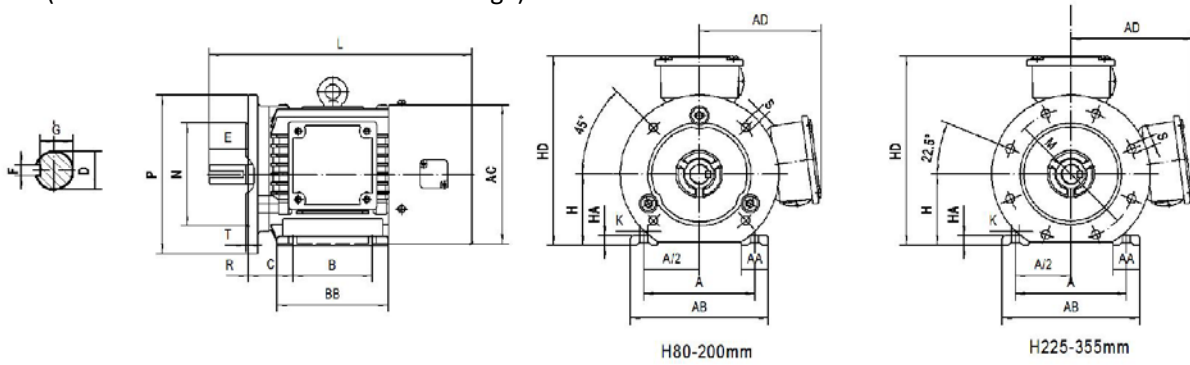
Frame	Poles	Mounting Dimension									Overall Dimension									
		A	B	C	D	E	F	G	H	K	AA	BB	HA	AB	AC	AD	HD	L		
80M	2,4,6,8	125	100	50	19	40	6	15.5	80	10	32	135	10	160	165	145	225	365		
90S	2,4,6,8	140	100	56	24	50	8	20	90	10	34	145	12	180	180	165	255	390		
90L			125									170							415	
100L	2,4,6,8	160	140	63	28	60	8	24	100	12	39	186	14	200	205	175	275	465		
112M	2,4,6,8	190	140	70	28	60	8	24	112	12	45	200	14	230	225	190	300	490		
132S	2,4,6,8	216	140	89	38	80	10	33	132	12	55	190	18	265	270	220	350	600		
132M			178									230							640	
160M	2,4,6,8	254	210	108	42	110	12	37	160	15	65	260	20	315	320	260	420	715		
160L			254									304							755	
180M	2,4,6,8	279	241	121	48	110	14	42.5	180	15	70	311	22	355	360	265	445	805		
180L			279									349							845	
200L	2,4,6,8	318	305	133	55	110	16	49	200	19	74	379	26	395	400	305	505	875		
225S	4,8	356	286	149	60	140	18	53	225	19	78	375	28	435	450	325	550	900		
225M	2		311		55	110	16	49				400							895	
	4, 6, 8		60		140	18	53	925												
250M	2	406	349	168	60	140	18	53	250	24	80	445	30	490	510	380	630	1005		
	4, 6, 8				65			58												
280S	2	457	368	190	65	140	18	58	280	24	90	485	35	545	550	395	675	1085		
	4, 6, 8				75			20											67.5	
280M	2				419			65											18	58
	4, 6, 8	75	20	67.5																
315S	2	508	406	216	65	140	18	58	315	28	120	570	45	635	630	540	855	1260		
	4,6,8				80			170											22	71
315M	2				457			65											140	18
	4,6,8	80	170	22		71	1325													
315L	2	508	65	140	18	58	20	67.5	536	1135										
	4,6,8										80	170	22	71	1370					
355M	2	610	560	254	75	140	20	67.5	355	28	130	690	52	735	715	645	1000	1470		
	4,6,8				95			170											25	86
355L/L1	2				630			75											140	20
	4,6,8	95	170	25		86	1610													
355L2/ L3	2	630	80	170	22	71	100	536	1135											
	4,6,8									110	210	28	100	1610						

## 2. IMB5 (Base without feet, end cover with flange)



Frame	Poles	Mounting Dimension										Overall Dimension			
		D	E	F	G	M	N	P	R	S	T	AC	AD	HF	L
80M	2,4,6,8	19	40	6	15.5	165	130	200	0	4-Φ12	3.5	165	145	245	365
90S															390
90L	2,4,6,8	24	50	8	20	165	130	200	0	4-Φ12	3.5	180	165	265	415
100L	2,4,6,8	28	60	8	24	215	180	250	0	4-Φ15	4	205	175	300	465
112M	2,4,6,8	28	60	8	24	215	180	250	0	4-Φ15	4	225	190	315	490
132S															600
132M	2,4,6,8	38	80	10	33	265	230	300	0	4-Φ15	4	270	220	370	640
160M															715
160L	2,4,6,8	42	110	12	37	300	250	350	0	4-Φ19	5	320	260	435	755
180M															805
180L	2,4,6,8	48	110	14	42.5	300	250	350	0	4-Φ19	5	360	265	440	845
200L	2,4,6,8	55	110	16	49	350	300	400	0	4-Φ19	5	400	305	505	875
225S	4,8	60	140	18	53										900
225M	2	55	110	16	49	400	350	450	0	8-Φ19	5	450	325	550	895
	4,6,8	60	140	18	53										925
250M	2	60			53	500	450	550	0	8-Φ19	5	510	380	655	1005
	4,6,8	65	140	18	58										
280S	2	65			18	500	450	550	0	8-Φ19	5	550	395	670	1085
	4,6,8	75			20										
280M	2	65	140		18	500	450	550	0	8-Φ19	5	550	395	670	1135
	4,6,8	75			20										

## 3. IMB35 (Base with feet and end cover with flange)



Frame	Poles	Mounting Dimension														Overall Dimension								
		A	B	C	D	E	F	G	H	K	M	N	P	R	S	T	AA	BB	HA	AB	AC	AD	HD	L
80M	2,4,6,8	125	100	50	19	40	6	15.5	80	10	165	130	200	0	4-Φ12	3.5	32	13	10	160	165	145	225	365
90S			100															14						390
90L	2,4,6,8	140	125	56	24	50	8	20	90	10	165	130	200	0	4-Φ12	3.5	34	17	12	180	180	165	255	415
100L	2,4,6,8	160	140	63	28	60	8	24	100	12	215	180	250	0	4-Φ15	4	39	18		200	205	175	275	465
112M	2,4,6,8	190	140	70	28	60	8	24	112	12	215	180	250	0	4-Φ15	4	45	20	14	230	225	190	300	490
132S			140															19						600
132M	2,4,6,8	216	178	89	38	80	10	33	132	12	265	230	300	0	4-Φ15	4	55	23	18	265	270	220	350	640
160M			210															26						715
160L	2,4,6,8	254	254	108	42	110	12	37	160	15	300	250	350	0	4-Φ19	5	65	30	20	315	320	260	420	755
180M			241															31						805
180L	2,4,6,8	279	279	121	48	110	14	42.5	180	15	300	250	350	0	4-Φ19	5	70	34	22	355	360	265	445	845
200L	2,4,6,8	318	305	133	55	110	16	49	200	19	350	300	400	0	4-Φ19	5	74	37	26	395	400	305	505	875
225S	4,8		286		60	140	18	53										37						900
225M	2	356	311	149	55	110	16	49	225	19	400	350	450	0	8-Φ19	5	78	40	28	435	450	325	550	895
	4,6,8				60	140	18	53																250
250M	2	406	349	168	60	140	18	58	280	24	500	450	550	0	8-Φ19	5	90	53	35	545	550	395	675	1135
280S	4,6,8				368																			75
280M	2	457	419	190	65	140	20	67.5	280	24	500	450	550	0	8-Φ19	5	90	53	35	545	550	395	675	1135
315S	4,6,8				406																			80
315M	2	457	419	190	65	140	20	67.5	280	24	500	450	550	0	8-Φ19	5	90	53	35	545	550	395	675	1135
315L	4,6,8				406																			80
315L	2	508	508	216	65	140	18	58	315	28	600	550	660	0	8-Φ24	6	120	68	45	635	630	540	855	1370
355M	4,6,8				560																			80
355M	2	610	630	254	75	140	20	67.5	355	28	740	680	800	0	8-Φ24	6	130	75	52	735	715	645	1000	1610
355L/L1	4,6,8				560																			80
355L/L3	2	610	630	254	80	170	28	100	355	28	740	680	800	0	8-Φ24	6	130	75	52	735	715	645	1000	1610
	4,6,8				630																			110