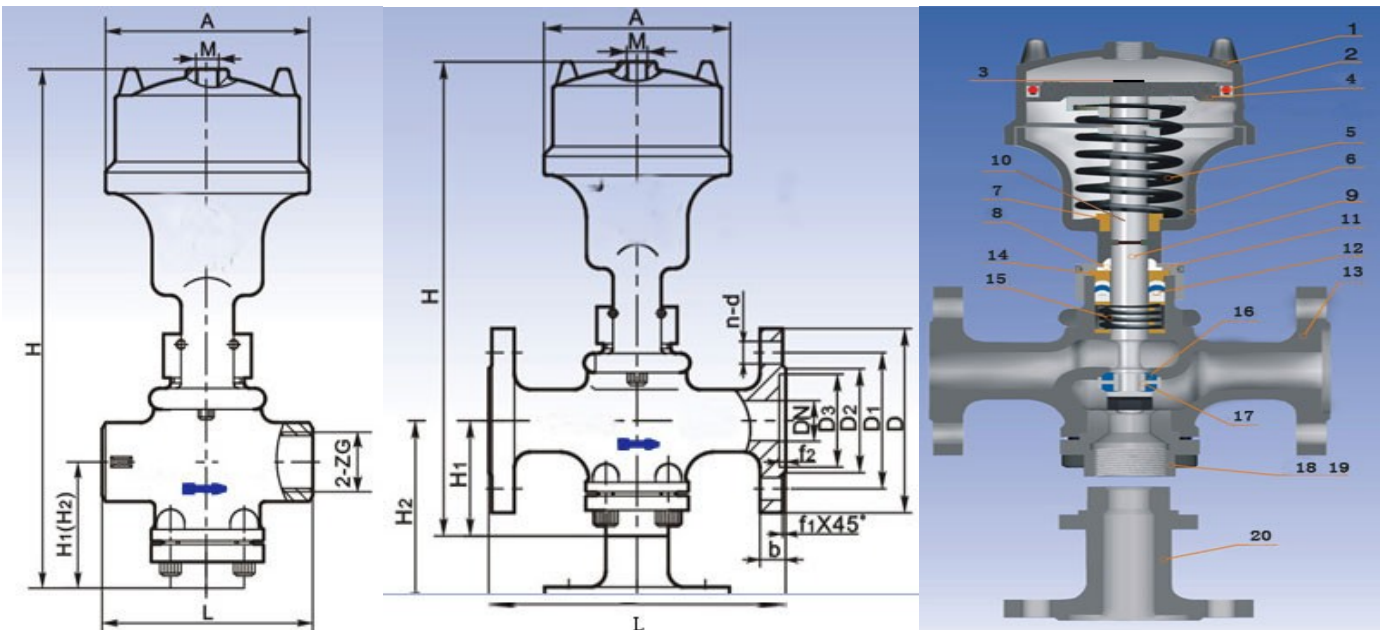




ZSC, ZMC, ZSQ Pneumatic Two (three) - Position Shut-off Valve

ZSQ-402R/ ZSQ-403R-DN15





ZSC, ZMC, ZSQ Pneumatic Two (three) - Position Shut-off Valve

DN	L	H1	H	M	A	D	D1	D2	b	f	n-d
15	146	48	206	ZG1/4"	φ 85	95	70	51	15	1	4-φ 15
20	146	55	255		φ 85	100	75	56	16	1	4-φ 15
25	167	72	295		φ 116	125	90	68	16	1	4-φ 19
32	190	90	410		φ 165	135	100	76	18	2	4-φ 19
40	190	80	360		φ 172	140	105	81	19	2	4-φ 19

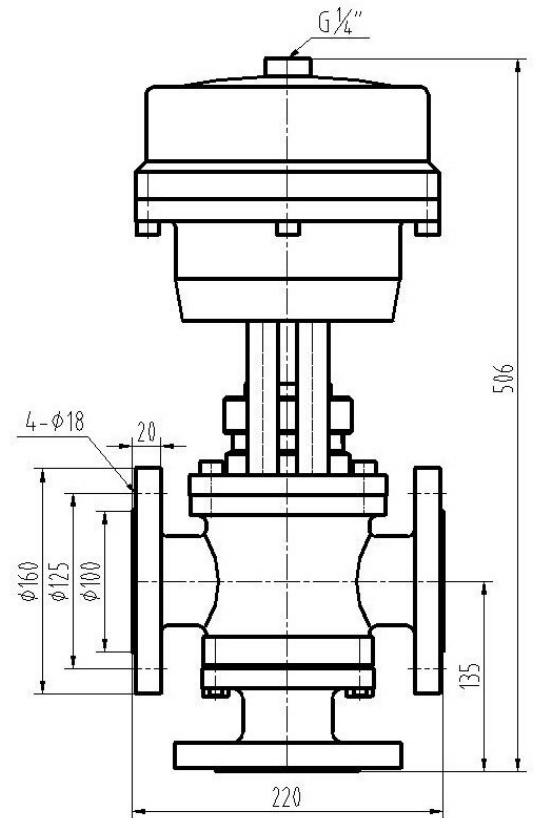
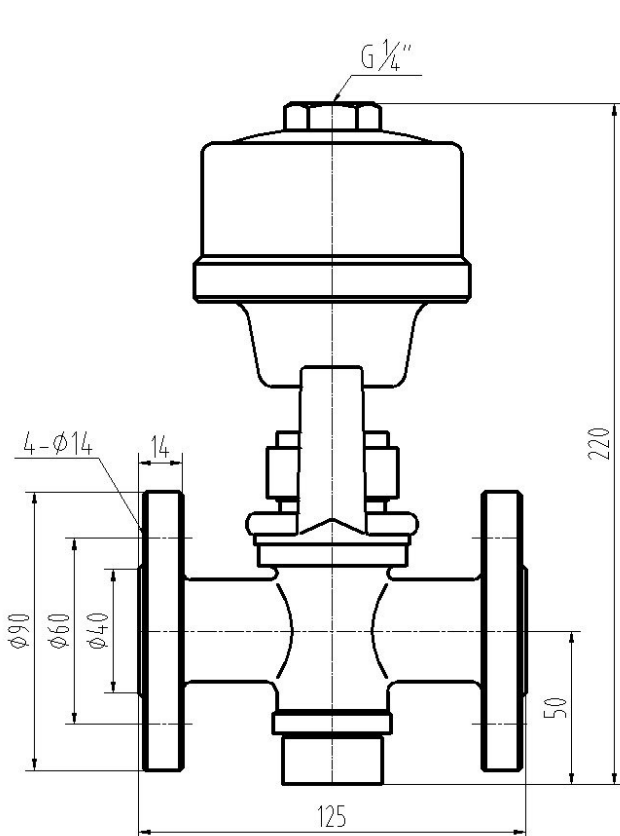
ZSQ-402R/403R



DN50
Flanged

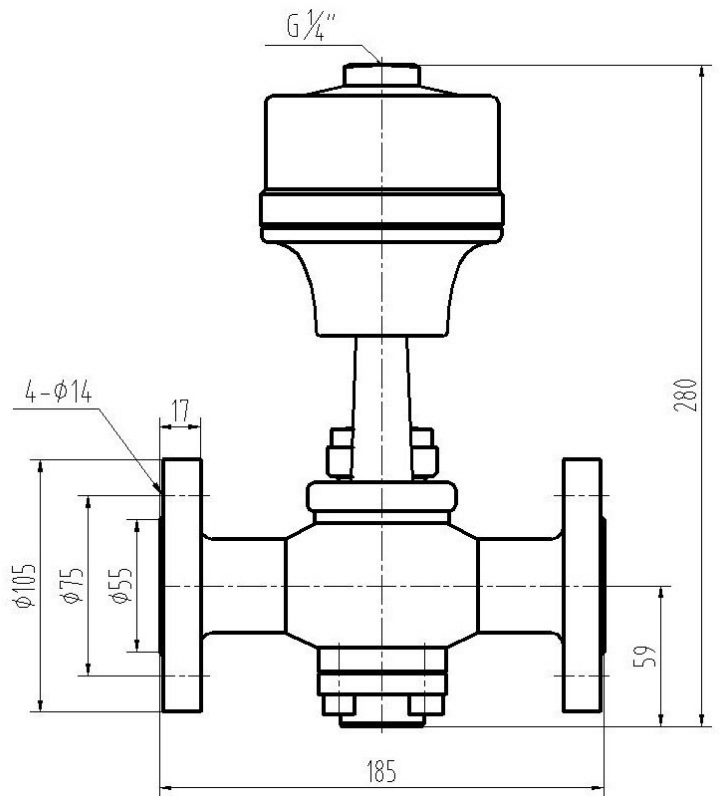
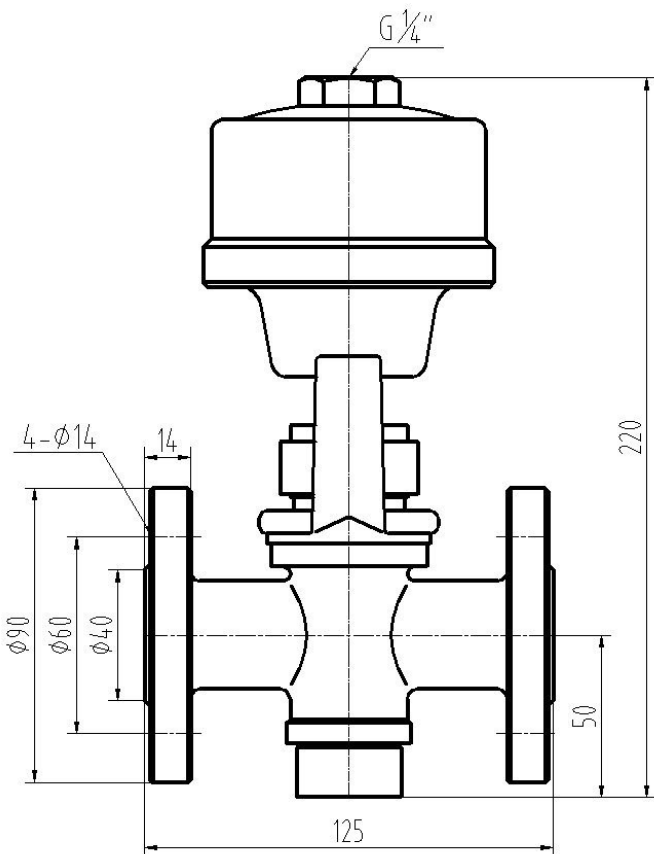
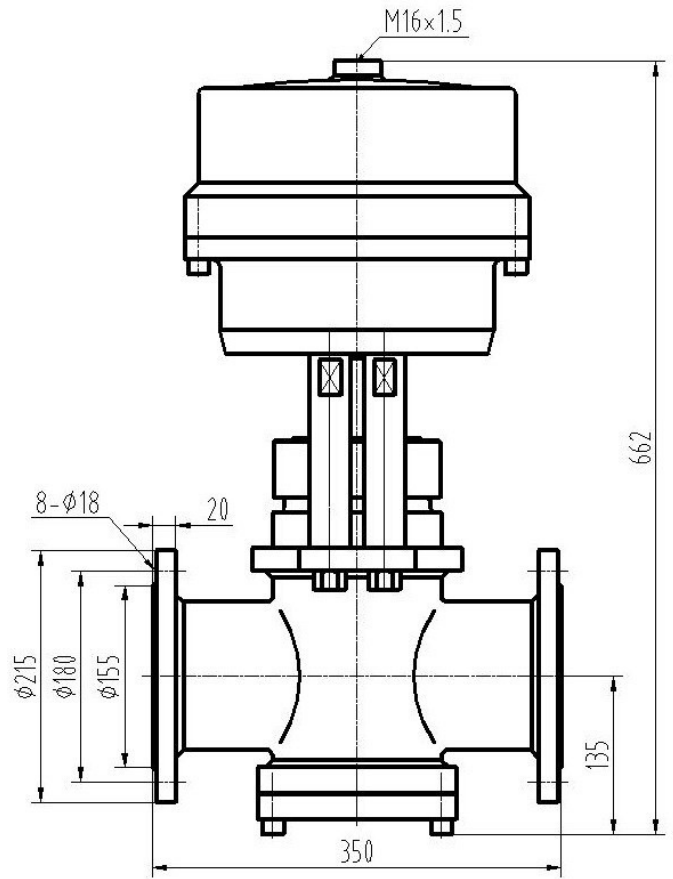
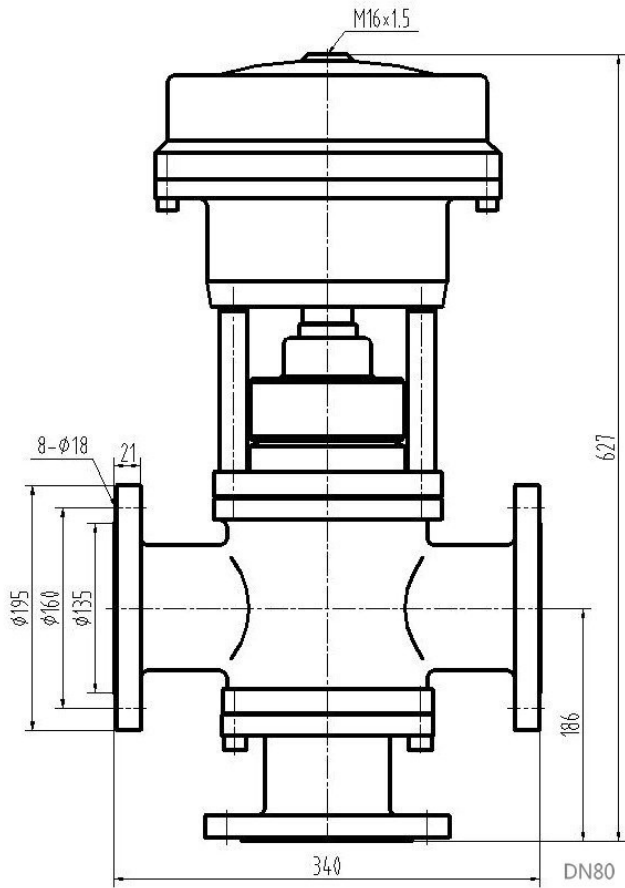


DN80
Flanged





ZSC, ZMC, ZSQ Pneumatic Two (three) - Position Shut-off Valve





ZSC, ZMC, ZSQ Pneumatic Two (three) - Position Shut-off Valve

